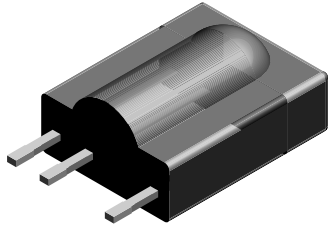


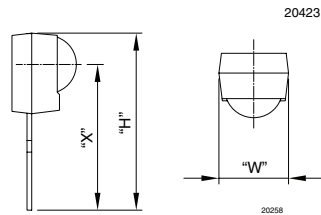
IR Receiver Modules for Remote Control Systems


FEATURES

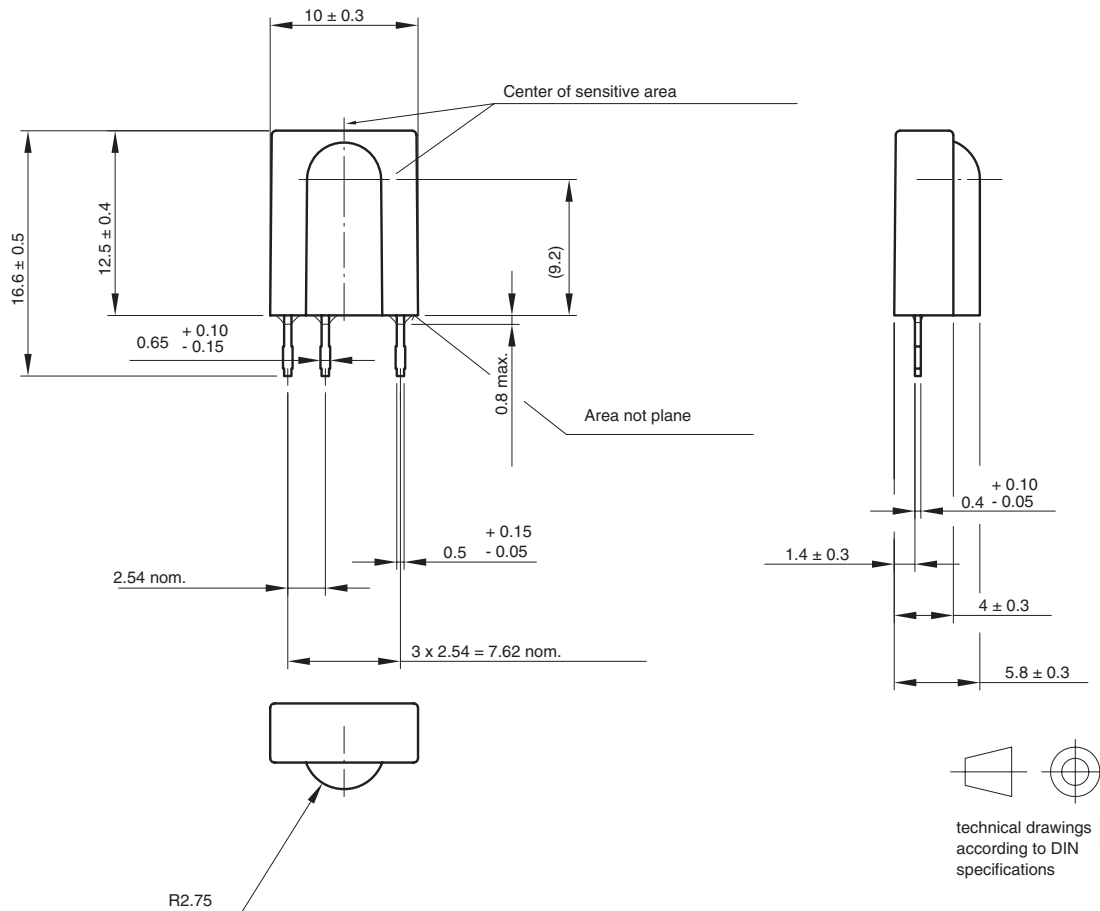
- Compliant to RoHS directive 2002/95/EC and in accordance to WEEE 2002/96/EC


AVAILABLE FOR:

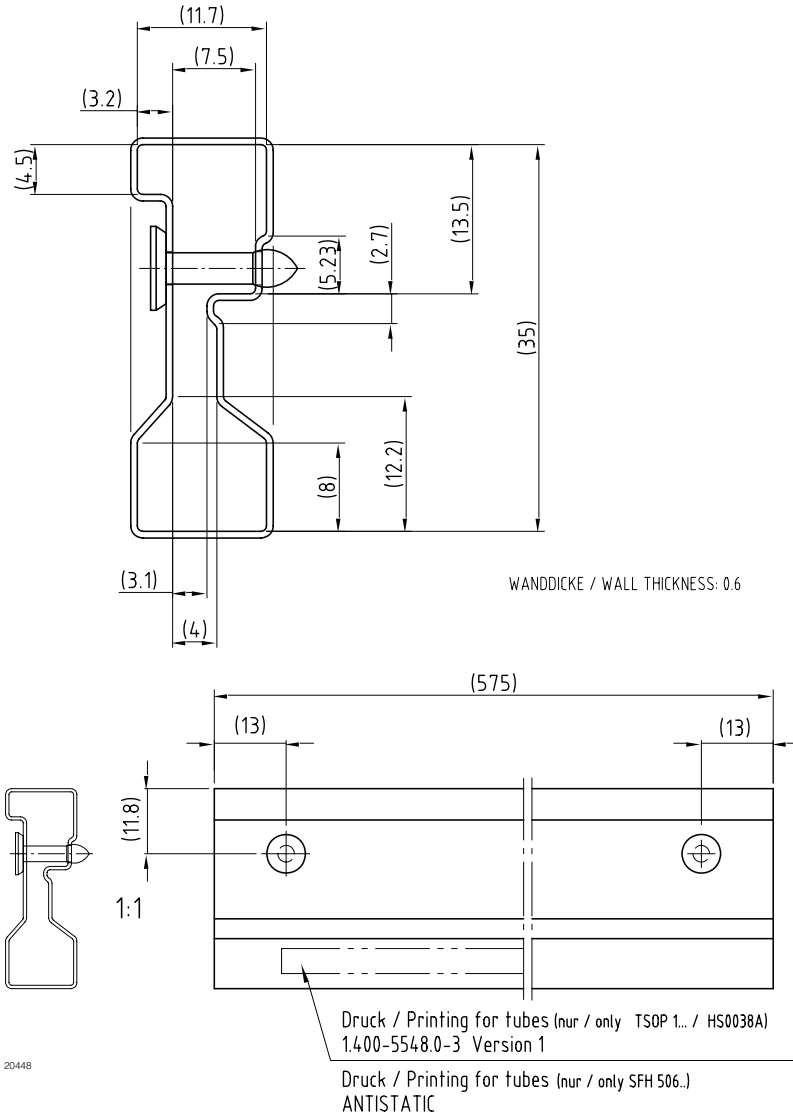
- TSOP31...
- TSOP1...


RoHS
COMPLIANT


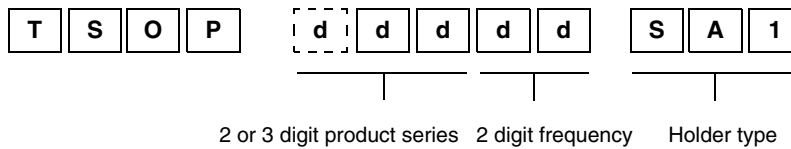
NAME	LENS AXIS (X)	VIEW	TYPE	HEIGHT (H)	WIDTH (W)	DEPTH (D)
SA1	13.3		Cut	16.6	10	

MECHANICAL DIMENSIONS in millimeters

 Drawing-No.: 6.550-5095.04-4
 Issue: 11; 04.08.09
 20449

PACKAGING DIMENSIONS in millimeters



ORDERING INFORMATION



Note

d = "digit", please consult the list of available series on the previous page to create a valid part number.

Example: TSOP31238SA1

PACKING QUANTITY

- 54 pieces per tube
- 20 tubes per carton